



Overview

The Media Router 6000 (CMR-6000) enables the reception of DVB-S and DVB-S2 transport streams and IP-based multimedia (video, audio and data) content to be delivered over satellite or high-speed ASI links and distributed to remote devices. Supporting MPE and MPEG-2 TS (Transport Stream), the Media Router 6000 facilitates standard data broadcasts, as well as the transport of MPEG-2 video service over IP.

Based on a 1RU platform, the Media Router 6000 has ASI and DVB-S/S2 inputs, and ASI and Ethernet outputs. The interfaces are configured using FAST codes, allowing users to initially purchase a basic set of features, and unlock other features and interfaces as requirements evolve. The CMR-6000 is unique, since it provides DVB-S/S2 input, ASI filtering and multiplexing, and MPEG-TS to IP, all in one package.

Features

- DVB-S and DVB-S2
- L-Band satellite input (FAST Option)
- 1 ASI input (FAST Option)
- 1 ASI output (FAST Option)
- 10/100Base-T Ethernet output
- 1:1 redundant operation
- Front panel interface

Reliable Operations

- No hard drive – All firmware boots from Flash resulting in no moving parts
- High availability product
- Embedded CPU and eCOS operating system

Ease of Use

- Configuration options: Terminal, HTTP or Telnet
- Front Panel Interface
- SNMP LD Private MIB

Investment Protection

- Upgrade firmware individually via TFTP

Compliance

- DVB-S (ETSI 300 421)
- DVB-S2 (ETSI EN 302 307)
- DVB Data Broadcasting (ETSI EN 301 192)
- ATSC Data Broadcasting (A/90)
- PSI Processing (ISO/IEC 13818-1)
- SI Processing (ETSI EN 300 468)
- ASI Interface (EN 50083-9)
- 10/100Base-T Ethernet (IEEE 802.3u)
- IGMP v3 support

Display LEDs

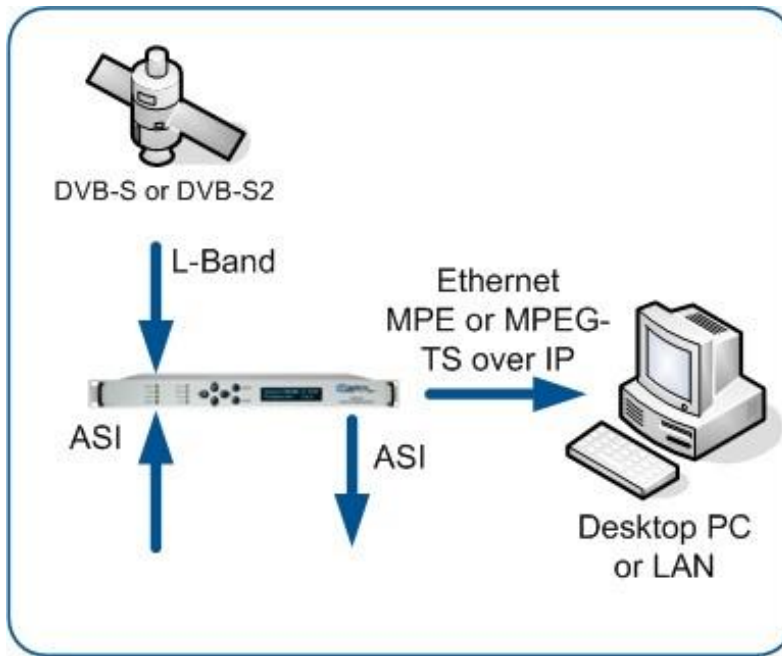
- Status (Red/Green)
- Lock (Green)
- E-Link (Green)
- Redun (Green)
- ASI-TX (Yellow)
- ASI-RX (Yellow)
- E_Act (Yellow)
- Mgt (Yellow)

Typical Users

- Video Distribution Service Providers
- ISPs
- Advertisement Agencies

Common Applications

- Multiplexing local content with incoming satellite content via ASI interface
- Filter PIDS on L-Band and/or ASI interface
- Fast Internet / intranet
- Streaming Audio / Video
- IP Multicasting
- Business TV, training, e-Learning or live events
- Multicast file transfer
- Local content insertion



Specifications

Physical & Power

Dimensions (height x width x depth)	1.75" x 19" x 11.375" (4.4 x 47.4 x 28.9 cm values)
Power consumption	25 W maximum
Input Voltage	Universal 100-240 VAC 47 Hz - 63 Hz

Environment

Operating temperature	0° to 40°C
Storage temperature	-30° to 65°C
Humidity	10% to 75% non-condensing

Connectors

RJ-45	10/100Base-T Ethernet interface (IEEE 802.3u)
F-Type	L-Band input
BNC	1 ASI TX 1 ASI RX
RJ-12	Terminal (RS-232) Aux port for serial control

Operating Range

L-Band input frequency	950 to 2150 MHz
L-Band input power	65 to -25 dBm
Support for DVB-S	2 to 45 Msps FEC: 1/2, 2/3, 3/4, 5/6, 7/8
Support for DVB-S2	2 to 32 Msps FEC: 1/2, 3/5, 2/3, 3/4, 4/5, 5/6, 8/9, 9/10 QPSK and 8-PSK operation



10880 Wilshire Blvd Los Angeles CA 90024 USA

Phone: +1.888.315.9545

Email: contact@orbitalconnect.com

<https://store.orbitalconnect.com>

